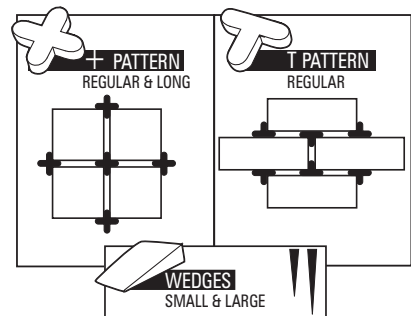
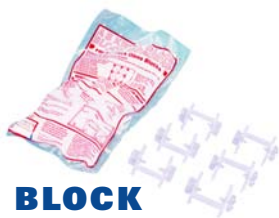


Tile Spacers



TILE SPACERS

DESCRIPTION	SIZE	BAGS	QTY.	PKG.	BOXES	QTY.	PKG.	TUBS	QTY.	PKG.
+ Spacers	1/16" spacers	81-P116B	300	36 Bags/Case	81-P116B-B	3000	8 Boxes/Case	—	—	—
	1/8" spacers	81-P18B	200	36 Bags/Case	81-P18B-B	1600	8 Boxes/Case	—	—	—
	3/16" spacers	81-P316B	150	36 Bags/Case	81-P316B-B	850	8 Boxes/Case	—	—	—
	1/4" spacers	81-P14B	100	36 Bags/Case	81-P14B-B	550	8 Boxes/Case	—	—	—
	3/8" spacers	81-P38B	50	36 Bags/Case	81-P38B-B	300	8 Boxes/Case	—	—	—
	1/2" spacers	81-P12B	35	24 Bags/Case	81-P12B-B	185	8 Boxes/Case	—	—	—
Long + Spacers	1/8" spacers	—	—	—	81-P18BL-B	1000	8 Boxes/Case	—	—	—
	3/16" spacers	—	—	—	81-P316BL-B	650	8 Boxes/Case	—	—	—
	1/4" spacers	—	—	—	81-P14BL-B	450	8 Boxes/Case	—	—	—
T Spacers	1/8" spacers	81-T18B	200	12 Bags/Case	—	—	—	—	—	—
	3/16" spacers	81-T316B	150	12 Bags/Case	—	—	—	—	—	—
	1/4" spacers	81-T14B	100	12 Bags/Case	—	—	—	—	—	—
	3/8" spacers	81-T38B	50	12 Bags/Case	—	—	—	—	—	—
Wedges	Small	81-W	200	36 Bags/Case	—	—	—	81-W-B	500	6 Tubs/Case
	Large	—	—	—	—	—	—	81-WL-B	150	6 Tubs/Case



GLASS BLOCK SPACERS

- For vertical and horizontal spacing of glass blocks
- Use with foreign or domestic glass blocks

ITEM NO.	DESCRIPTION	QTY.
81-GB3	3-1/8" Glass Block Spacers PKG: 10 Bags/Case	25
81-GB4	3-7/8" Glass Block Spacers PKG: 10 Bags/Case	25



TILE SPACER PULLER

- For spacer removal
- Non-scuff rubber bumper acts as a fulcrum and protects edges of tile
- SoftGrip™ handle

ITEM NO.	DESCRIPTION	PKG.
85-251	Spacer Puller	6



PROBILTSMSERIES™ SUCTION CUP

- Pistol grip for quick, easy application
- Use to install large tile, marble and stone

ITEM NO.	DESCRIPTION	PKG.
83-410	3-1/4" Suction Cup	6

SET TOOLS

SUPERIORBILT.



CALL TO ORDER 800-272-8786 FAX 800-200-7765